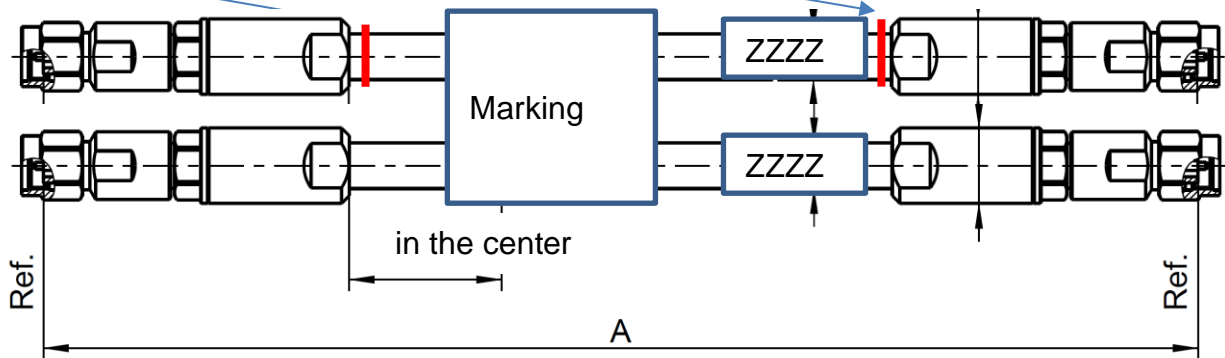


Cable assembly
RPC-2.92 plug – RTK 106 – RPC-2.92 plug - Armour


LU1-502-1000_V2

Red O-Ring for Channel marking at one assembly. The other assembly has no O-Ring



All dimensions are in mm; tolerances: $\pm 3\text{mm}$ for $A \leq 300\text{ mm}$; $\pm 1\%$ for $A > 300\text{ mm}$
*) If length "A" < 150 mm marking is mount centric $\pm 5\text{ mm}$

Available variants

Type	Insertion loss at 40 GHz	Marking	Weight (g) / pce
LU1-502-1000_V2	$\leq 3.75\text{ dB}$ Typical 2.6 dB	ROSENBERGER ssss LU1-502-1000_V2 FAC-RRRRRRR 	2* (0,096 g/mm * A mm + 27 g)

XXX – length in mm = A ZZZZ= individual serial number
ssss – serial no. FAC – Factory Code RRRRRRRR – lot no. Barcode = includes factory code, lot no. and serial no.

Note: max. Insertion Loss:
First constant = Cable attenuation in dB /mm; Second Constant = Connector left and Connector right +needed Adaptor

Weight:
First constant = Cable- and Armour- weight per mm; Second Constant = Connector left and Connector right weight per pce

Assembly parts

Connector left	RPC-2.92 plug	02S129-2U1S3
Connector right	RPC-2.92 plug	02S129-2U1S3
Cable	RTK 106	
Armour	T3 Armour	
Clamping sleeve	Stainless steel	02S129-2U1/43
Tension sleeve	Stainless steel	02S129-2U1/44

Electrical data

Impedance	50 Ω
Frequency	DC to 40 GHz
Return loss ¹	$\geq 17\text{ dB}$, DC to 40 GHz
Insertion loss ¹	see table available variants
Phasematching per pair	$\pm 2^\circ$ up to 40 GHz

Individual testing and documentation:
Measurement plot with all 4 S-Parameters (S11; S22; S21; S12) and the care and handling instruction are included with the cable assembly and with Phasematching parameters. Measurement adaptors used are mentioned in the commentary field.

¹ Return Loss and Insertion Loss includes the measurement adaptor
intern | internal

Technical Data Sheet

Rosenberger

Cable assembly
RPC-2.92 plug – RTK 106 – RPC-2.92 plug - Armour

LU1-502-1000_V2

Mechanical data

Minimum bend radius:
Multiple 40 mm

Environmental data

Temperature range -40°C to +85°C
RoHS compliant

Dieses Dokument ist urheberrechtlich geschützt • This document is protected by copyright • Rosenberger Hochfrequenztechnik GmbH & Co. KG

While the information has been carefully compiled to the best of our knowledge, nothing is intended as representation or warranty on our part and no statement herein shall be construed as recommendation to infringe existing patents. In the effort to improve our products, we reserve the right to make changes judged to be necessary.

For the installation of the electrotechnical equipment, particular electrotechnical expertise is required.



intern | internal

Draft	Date	Approved	Date	Rev.	Engineering change number	Name	Date
Martin Moder	08.03.22						

Rosenberger Hochfrequenztechnik GmbH & Co. KG P.O.Box 1260 D-84526 Tittmoning Germany www.rosenberger.de	Tel. : +49 8684 18-0 Email : info@rosenberger.de	Page 2 / 2
--	--	---------------

RF_35/09_14/6.2