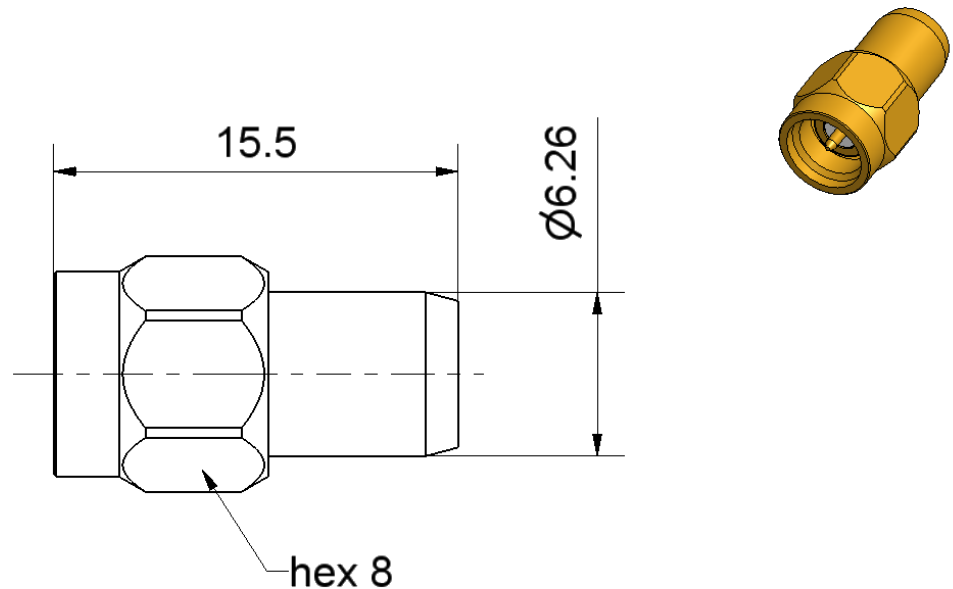


SMA  
Standard

Termination  
Plug 1 Watt

**32S15R-1.0E3**



All dimensions are in mm; tolerances according to ISO 2768 m-H

**Interface**

According to IEC 60169-15; EN 122110; MIL-STD-348A, Fig. 310

**Documents**

N/A

**Material and plating**

**Connector parts**

Center contact  
Outer contact  
Dielectric  
Coupling nut  
Gasket  
Substrate

**Material**

Brass  
Brass  
PTFE  
Brass  
Silicone  
Al<sub>2</sub>O<sub>3</sub>

**Plating**

Gold, min. 1.27 µm, over nickel  
Gold, min. 0.8 µm, over nickel  
Gold, min. 0.15 µm, over chemical nickel

Dieses Dokument ist urheberrechtlich geschützt • This document is protected by copyright • Rosenberger Hochfrequenztechnik GmbH & Co. KG

RF\_35/05.10/6.0

**Technical Data Sheet****Rosenberger**SMA  
StandardTermination  
Plug 1 Watt**32S15R-1.0E3****Electrical data**

Impedance	50 $\Omega$
Frequency range	DC to 18 GHz
Return loss	$\geq 28.3$ dB, DC to 4 GHz $\geq 26.4$ dB, 4 GHz to 6 GHz $\geq 24.3$ dB, 6 GHz to 10 GHz $\geq 23.1$ dB, 10 GHz to 12.4 GHz $\geq 22.1$ dB, 12.4 GHz to 14 GHz $\geq 19.1$ dB, 14 GHz to 18 GHz
Center contact resistance	$\leq 3$ m $\Omega$
Outer contact resistance	$\leq 2$ m $\Omega$
Impulse Power (1 $\mu$ s, 1%)	100 Watts at 25 °C environment temperature
Power handling	$\leq 1$ W at 25 °C

**Mechanical data**

Mating cycles	$\geq 500$
Coupling nut retention	$\geq 270$ N
Maximum torque	1.70 Nm
Recommended torque	0.80 Nm to 1.10 Nm

**Environmental data**

Temperature range	-55 °C to +155 °C
RoHS	compliant

**Packing**

Standard	100 pcs in blister
Weight	3.4 g/pce

While the information has been carefully compiled to the best of our knowledge, nothing is intended as representation or warranty on our part and no statement herein shall be construed as recommendation to infringe existing patents. In the effort to improve our products, we reserve the right to make changes judged to be necessary.

Draft	Date	Approved	Date	Rev.	Engineering change number	Name	Date
Kerstin Herzog	14/02/05	Lars Ramtke	25/07/13	b00	13-0822	Marion Striegler	25/07/13
Rosenberger Hochfrequenztechnik GmbH & Co. KG P.O.Box 1260 D-84526 Tittmoning Germany www.rosenberger.de				Tel. : +49 8684 18-0 Fax : +49 8684 18-499 Email : info@rosenberger.de			Page 2 / 2